



BLUETOOTH® WIRELESS
TECHNOLOGY DEVICES
AS DC REPEATER



BLUETOOTH® WIRELESS TECHNOLOGY DEVICES AS DC REPEATER

Blu2Light – The intelligent wireless lighting control solution

Blu2Light is the first completely open Bluetooth® wireless technology system with mesh functionality for the professional lighting market, which, in addition to a variety of functions for lighting control, offers the luminaire manufacturer added IoT benefits with maximum system security.

Blu2Light DC Repeater

The Blu2Light DC Repeater enables the looping of a Blu2Light system over further distances and forwards the Bluetooth signal.

Blu2Light DC Repeater

- **ENABLES THE OPERATION OF THE BLU2LIGHT NETWORK OVER FURTHER DISTANCES**
- **INTEGRATED BLUETOOTH® MESH RADIO MODULE**
- **INSTALLATION IN CEILING AND FOR INDEPENDENT MOUNTING WITH CORD GRIP**
- **MAINTENANCE-FREE**
- **OPERATING LIFETIME: 50,000 HRS.**
- **PRODUCT GUARANTEE: 5 YEARS**



Blu2Light DC Repeater

Module with Bluetooth® wireless technology

For installation in a suspended ceiling and for independent installation with cord grip.

Dimensions with cord grip: 158x22x19 mm (LxWxH)

Fastening: M3 screws



ATTENTION:

- The module must be connected to 11 - 50 V DC.
- Ensure the correct polarity at the + and - inputs.

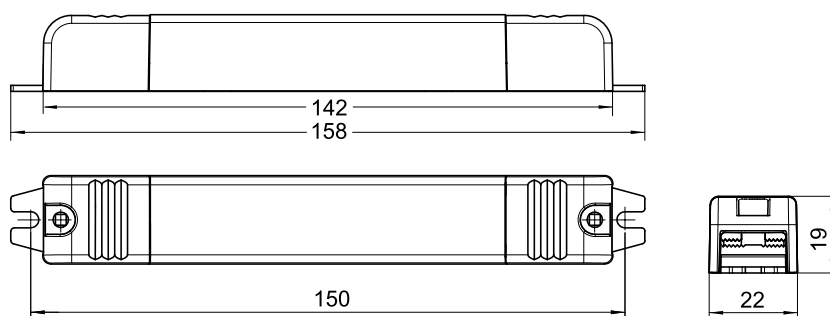
Type	Blu2Light DC Repeater
Ref. No.	187489
Communication	Blu2Light Mesh Network
Frequency range	2402–2480 MHz
HF output power	< 10 mW EIRP
Power consumption	< 0.1 W (max.)
Power supply	11–50 V DC
Ambient temperature t_a	0°C – 50°C
IP protection	IP20
Protection class	III
Dimensions (Ø x H)	158x22x19 mm (LxWxH)
Casing	polycarbonate, white
Weight	31 g
Connection leads	Input 0.5-1.5 mm ² ; No devices are allowed to be connected on the output side

Product guarantee

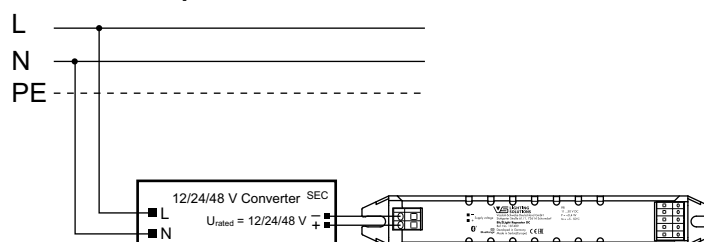
- 5 years
- The conditions for the Product Guarantee of the Vossloh-Schwabe Group shall apply as published on our homepage (www.vossloh-schwabe.com). We will be happy to send you these conditions upon request.



Dimensions:



Connection example:



The values in this data sheet may change due to technical innovations and are subject to change without notice.

Blu2Light DC Repeater

General Safety and Mounting Instructions

- Only qualified persons are allowed to install Blu2Light products.
- Prior to installing and commissioning the system, read these instructions carefully. Only this will guarantee correct and safe handling. Please keep these instructions as you may need them later.
- The devices must always be disconnected before any work is carried out on them.
- The applicable safety and accident prevention regulations must be observed.
- Opening by unqualified personnel of the products is prohibited: Risk of death from electric shock!
The devices must only be repaired by the manufacturer.
- Only DC voltage may be connected.

Overvoltage protection of the 11-50 V interface

- Connecting voltages higher than 50 V DC will destroy the products. Operation with voltages $< 11 \text{ V DC} / > 50 \text{ V DC}$ or AC voltage is generally not permitted!

Mounting

- Fasten the module with two M3 screws. Connect a power supply between 11 and 50 V DC on the input side. The maximum permissible cable length between the power supply and Blu2Light DC Repeater is 1.5 metres. No devices are allowed to be connected on the output side. When connecting the power supply, ensure correct polarity + and -, otherwise the device may be destroyed! The cord grip caps must also be fitted for independent installation.

Installation instructions

- Conductor cross-section input side: 0.5-1.5 mm² for rigid or flexible conductors

Setup and operation

- The Blu2Light devices are configured with the LiNA Connect app and can be operated via the LiNA Touch app.
- For the exact procedure for the configuration of the devices please refer to the instructions in the LiNA Connect app or in the corresponding documentation.
- A tablet is required for setup, both tablets and smartphones can be used for operation. Both are not included in the scope of delivery.
- For information on the iOS and Android operating systems that can currently be used, refer to the LiNA Connect/ LiNA Touch manual:



Bluetooth® wireless technology

The Bluetooth® word mark and logos are registered trademarks owned by the Bluetooth SIG, Inc. and any use of such marks by Vossloh-Schwabe is under license. Other trademarks and trade names are those of their respective owners.

Important note:

Please refer to the installation instructions included with the product and the applicable Blu2Light system data sheet before installation. Make sure that the Bluetooth radio signal can propagate freely according to the specifications.



We, Vossloh-Schwabe Deutschland GmbH, herewith confirm that these devices comply with the basic requirements of the directive 2014/53 / EU and other relevant directives. The entire text of the declaration of conformity can be obtained from the following address:
www.vossloh-schwabe.com

Vossloh-Schwabe Deutschland GmbH
Stuttgarter Straße 61/1
D-73614 Schorndorf
Germany

The values in this data sheet may change due to technical innovations and are subject to change without notice.